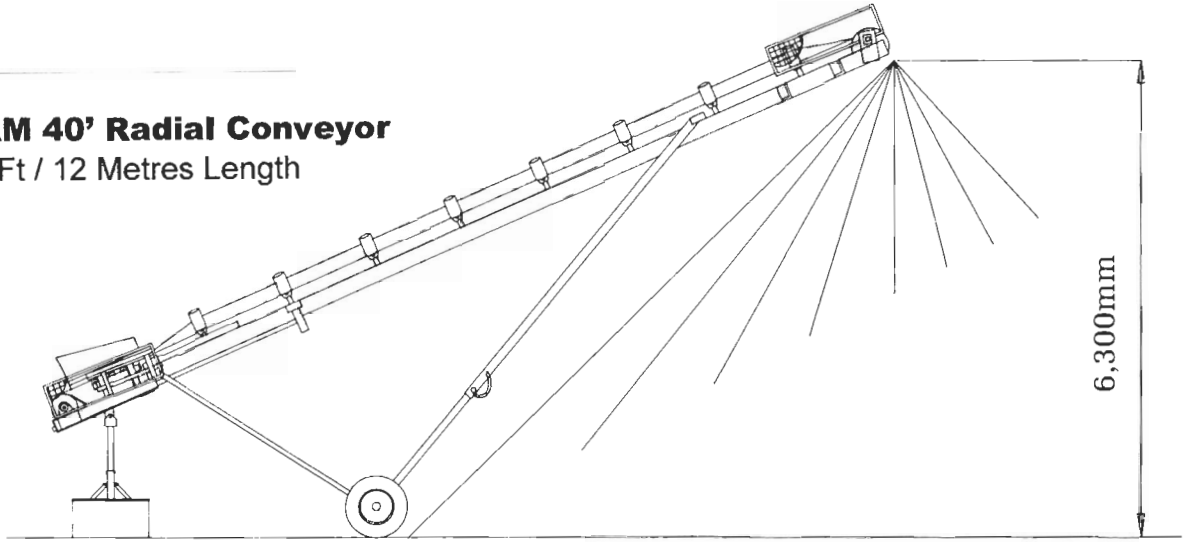
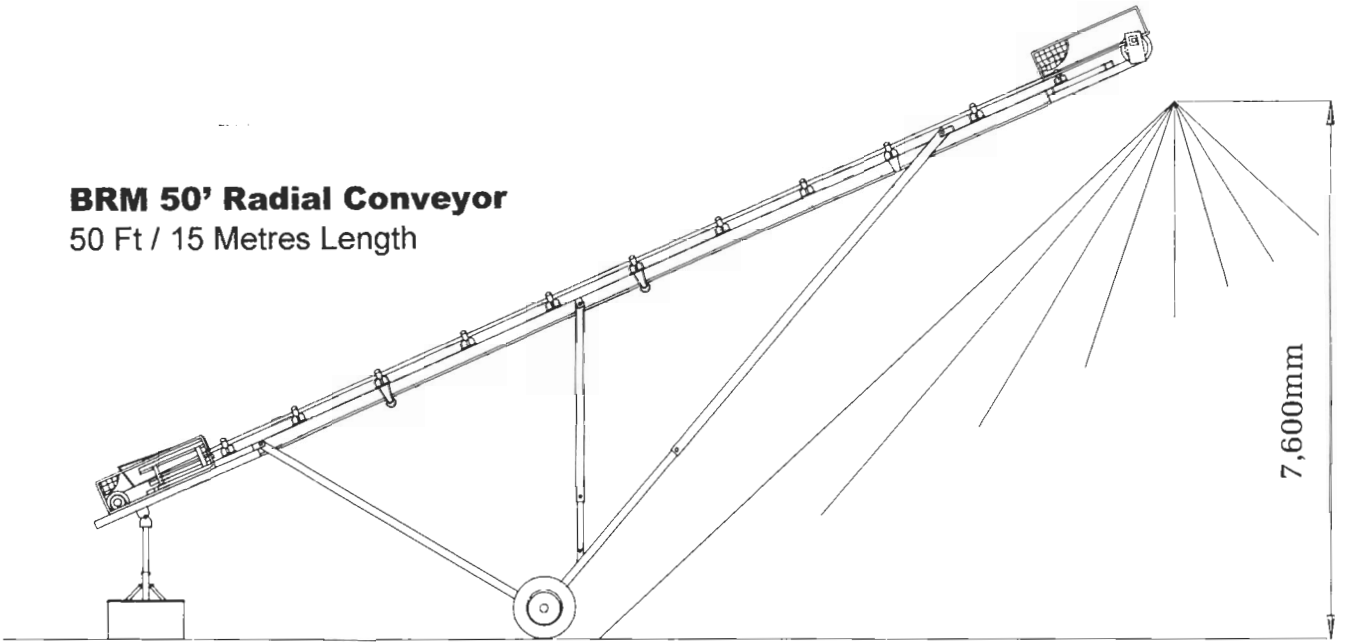


**STOCKPILE HEIGHTS (Average)**

**BRM 40' Radial Conveyor**  
40 Ft / 12 Metres Length



**BRM 50' Radial Conveyor**  
50 Ft / 15 Metres Length



**BRM 60' Radial Conveyor**  
60 Ft / 18 Metres Length

